



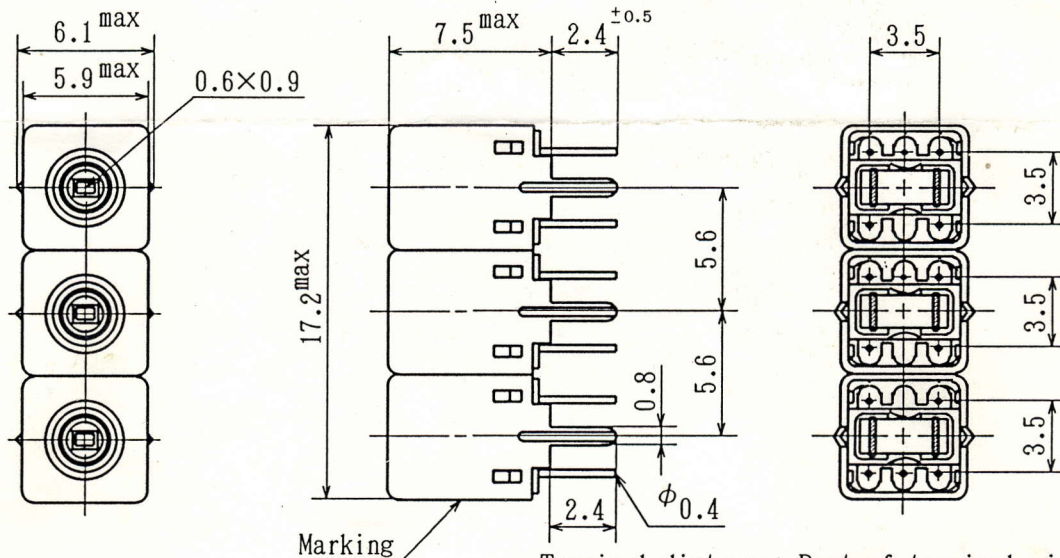
Customer.  
 Customer's Dwg.Number \_\_\_\_\_ Rev. \_\_\_\_\_  
 Customer's Part Number \_\_\_\_\_  
 Toko Sample Number 465BBXS-007

Approved by \_\_\_\_\_  
 Signature \_\_\_\_\_ Date \_\_\_\_\_

One copy with your signature is required as your confirmation to our Specifications.

(1) Physical Dimensions

Unit : mm , Tolerance : ±0.3

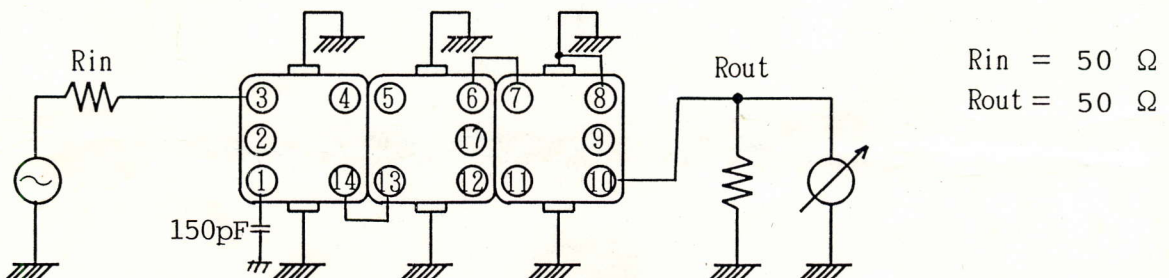


Terminal distance: Root of terminal pin  
 Terminal length: Not including soldering tags

(2) Electrical Characteristics (※Please refer to attached sheet)

Subject		Specifications	Note
Center Frequency (Fo)		156MHz	
-3 dB Bandwidth		10MHz min	
Insertion loss at Fo		4.0dB max	
Selectivity	Fo + 20 MHz	24dB min	
	Fo - 20 MHz	18dB min	
Ripple in passband		0.5dB max	

(3) Test Circuit(Bottom View)



Rin = 50 Ω  
 Rout = 50 Ω

Notes

Approved by:  H. OHTSUKA	Checked by:  LAI HO CHING	Made by:  LAI WAI CHUN	Orig	15-JAN-97	
				Issues	Sign

45, Hoi Yuen Road, Yau Lee Centre, 8/F.,  
 Kwun Tong, Kowloon, Hong Kong.

TOKO, INC.  
 HONG KONG BRANCH

MKR( 250):156MHz

A(\*):MAGTD

-2.66dB

1dB/

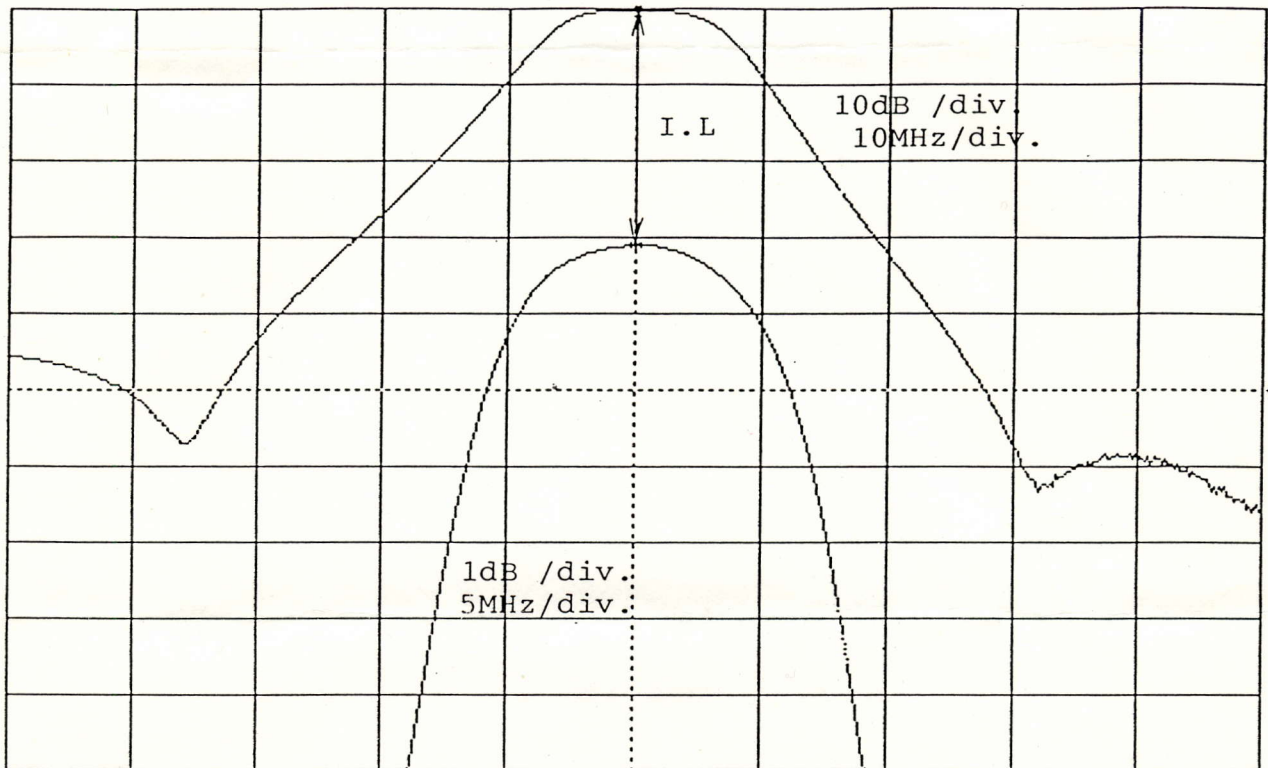
-4.57dB

B(\*):B

-2.62dB

10dB/

-52.61dB



CF:156MHz

**SPAN:**50MHz

OUT(B):0.00dBm

ST:3.90sec

EL:0.00cm

IRG(R):0dBm

IRG(T):0dBm

RBW:10kHz

VBW:10kHz

50Ω

MAGTD

OFFSET CTR