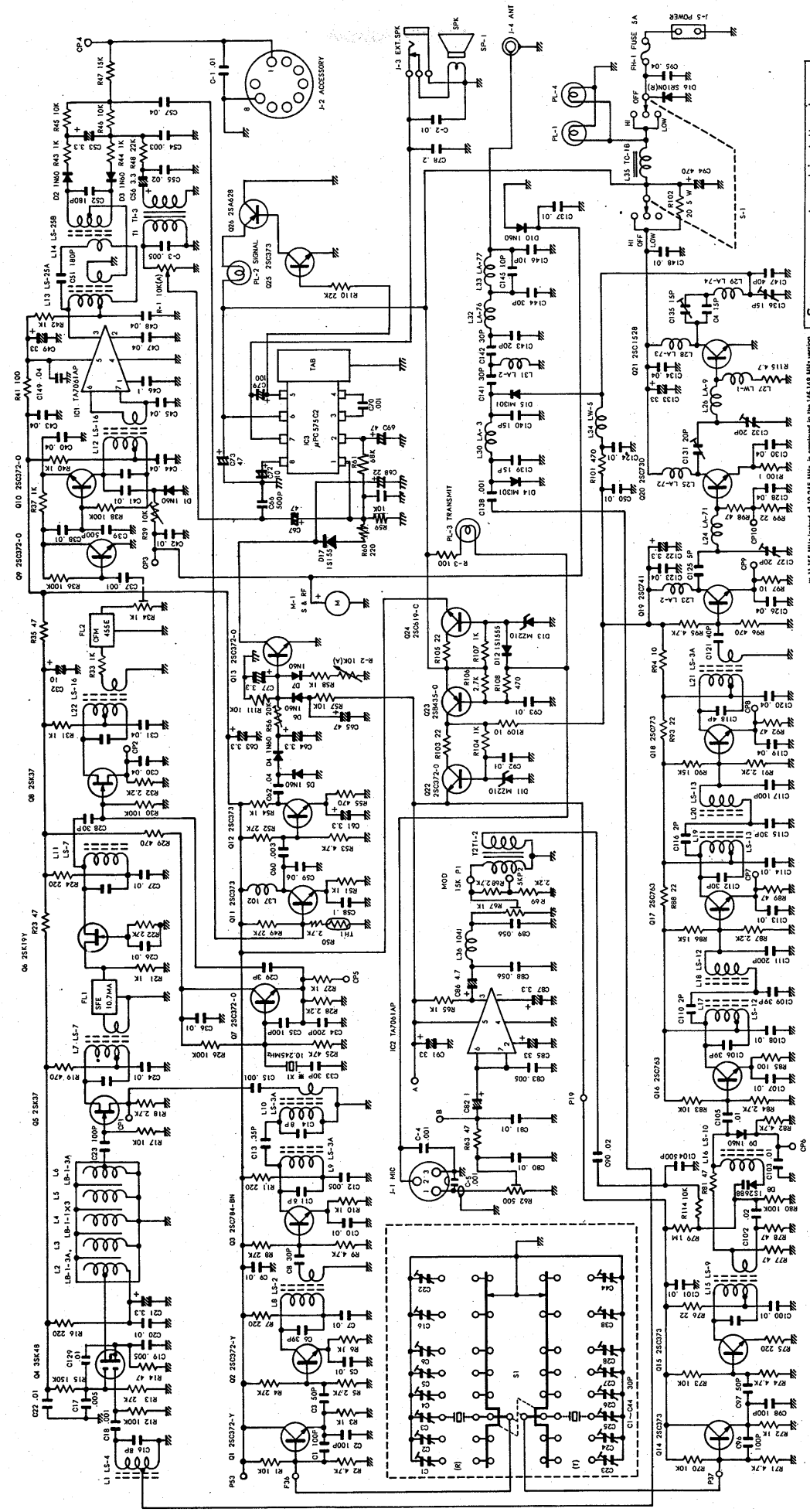


# SECTION IX — SCHEMATIC DIAGRAM



Some components subject to change for improvement without notice.



INOUE COMMUNICATION EQUIPMENT CORPORATION

\* 11.155 MHz instead of 10.245 MHz, is employed in the 146-148 MHz version.